

Pushpam

TABLES

2018

Naoto Fukasawa



Description

Pushpam is a collection of tables that stand out for their perfect formal balance and for the striking texture of their cement finish.

Technical information

Top and base-frame

cement (Ultra High Performance Concrete)

Coupling plate

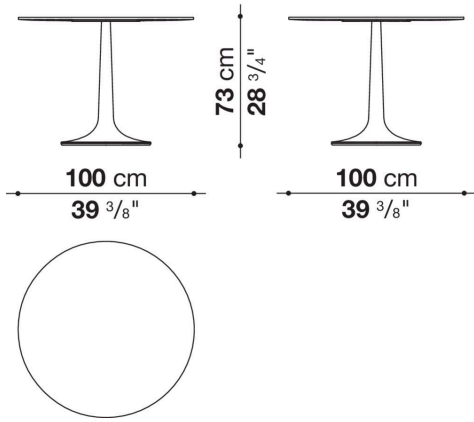
galvanized sheet

Ferrules

thermoplastic material

Technical drawings

TF100RA



TF85A

